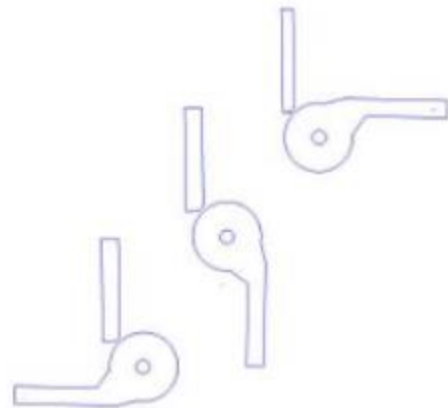
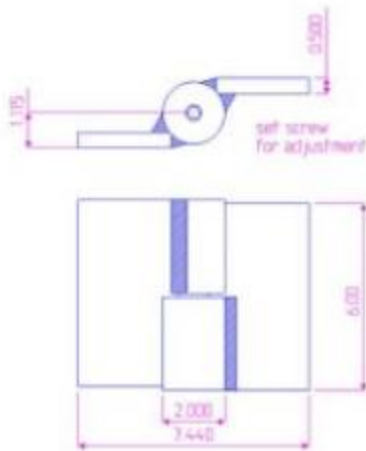
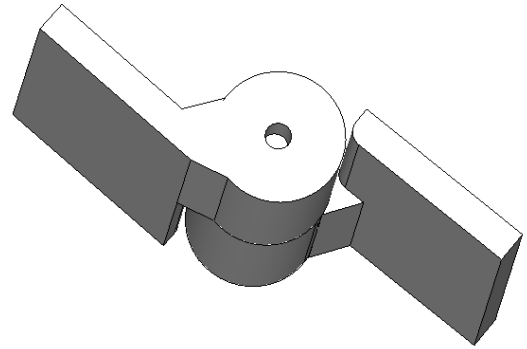


6" x 7 7/16" Stainless Steel Half Mortise Hinges

Model Number: 2100LH-304 Half Mortise

Price: £ 755

- Application: Half Mortise
- Type: Left-Handed
- Material Type: 304L Stainless Steel
- Maximum Door Weight: 4000 LBS
- Maximum Radial Load: 1630 LBS
- Mount: Weld On
- Approximately Width: 7 7/16"
- Weight: 13 LBS
- Height: 6"
- Bearing Type: Needle & Thrust Bearings
- Finish: Plain
- Service: Heavy Duty



Kiesler Machine Inc

Contact Info :
info@kieslermachine.uk

Smoother Than The Rest
Guaranteed!

Data Provided For Reference Only.

Disclaimer: This drawing is property of Kiesler Machine Inc, Kieslermachine.com. It is owned with the understanding that it will in no way be used in a manner which is harmful to Kiesler Machine Inc.