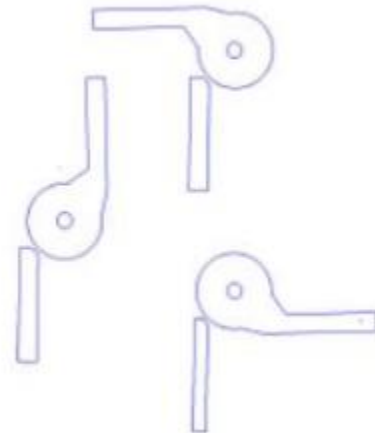
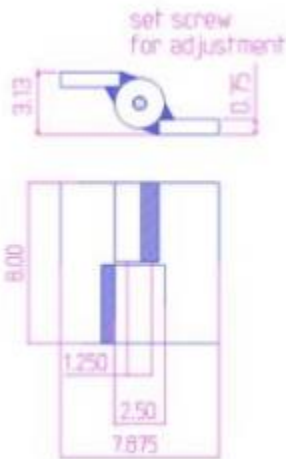
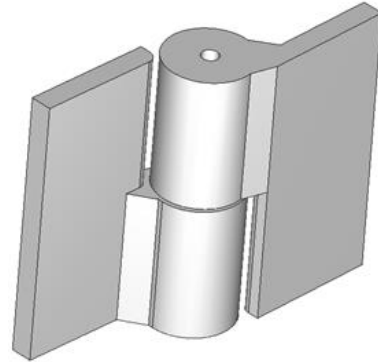


8" x 7 7/8" Stainless Steel Half Mortise Hinges

Model Number: 2125RH-316 Half Mortise

Price: £ 1395

- Application: Half-mortise
- Type: Right-Hand
- Material Type: 316L Stainless Steel
- Maximum Door Weight: 8,000 LBS
- Maximum Radial Load: 3,300 LBS
- Mount: Weld-On or Bolt-On
- Approximate Width: 7 7/8"
- Height: 8"
- Weight: 23 LBS
- Bearing Type: Thrust and Needle Bearings
- Finish: Plain
- Service: Heavy Duty



Kiesler Machine Inc

Contact Info :
info@kieslermachine.uk

Smoother Than The Rest
Guaranteed!

Data Provided For Reference Only.

Disclaimer: This drawing is property of Kiesler Machine Inc, Kieslermachine.com. It is owned with the understanding that it will in no way be used in a manner which is harmful to Kiesler Machine Inc.