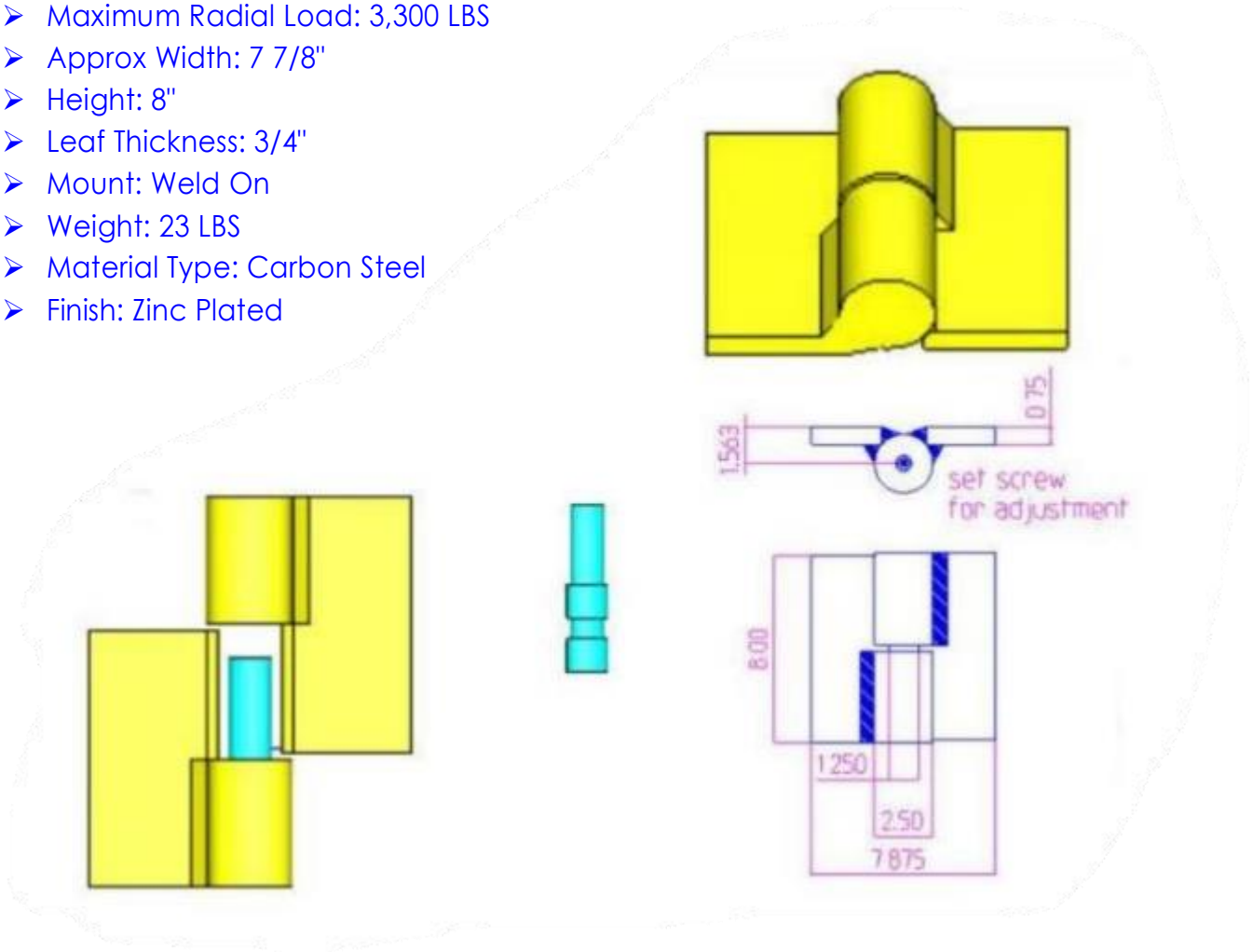


8" x 7 7/8" Carbon Steel Heavy Duty Hinge

Model Number: 2125RH-ZINC

Price: £ 919.35

- Maximum Door Weight: 8,000 LBS
- Maximum Radial Load: 3,300 LBS
- Approx Width: 7 7/8"
- Height: 8"
- Leaf Thickness: 3/4"
- Mount: Weld On
- Weight: 23 LBS
- Material Type: Carbon Steel
- Finish: Zinc Plated



Kiesler Machine Inc



Contact Info :
info@kieslermachine.uk

Smoother Than The Rest
Guaranteed!

Data Provided For Reference Only.

Disclaimer: This drawing is property of Kiesler Machine Inc, Kieslermachine.com. It is owned with the understanding that it will in no way be used in a manner which is harmful to Kiesler Machine Inc.