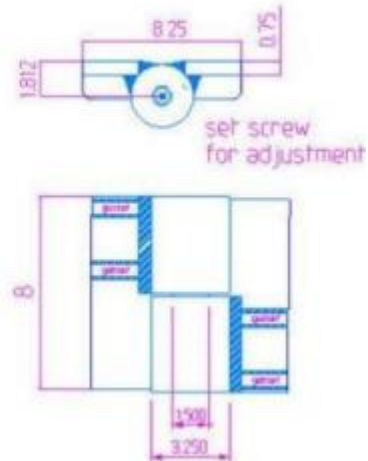
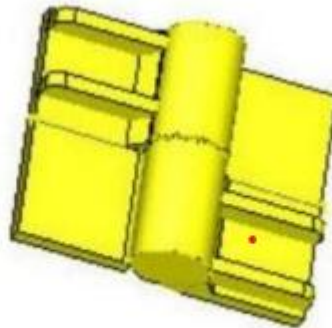
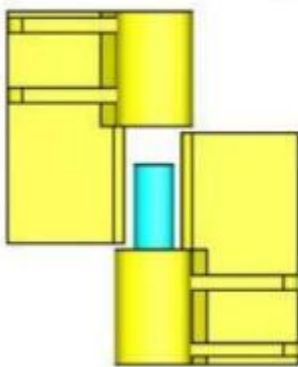
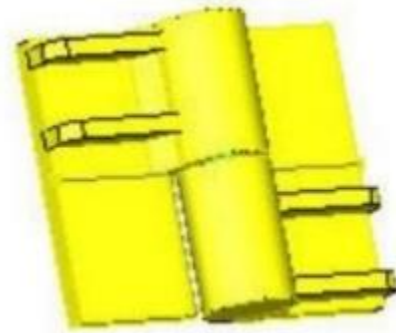


8" x 8 1/4" Carbon Steel Heavy Duty Hinges

Model Number: 2150 LH

Price: £ 1190.7

- Maximum Door Weight: 13,000 LBS
- Maximum Radial Load: 6,820 LBS
- Approx Width: 8 1/4"
- Height: 8"
- Leaf Thickness: 3/4"
- Weight: 33 LBS
- Mount: Weld On
- Material Type: Carbon Steel
- Finish: Primer



Kiesler Machine Inc



Contact Info :
info@kieslermachine.uk

Smoother Than The Rest
Guaranteed!

Data Provided For Reference Only.

Disclaimer: This drawing is property of Kiesler Machine Inc, Kieslermachine.com. It is owned with the understanding that it will in no way be used in a manner which is harmful to Kiesler Machine Inc.