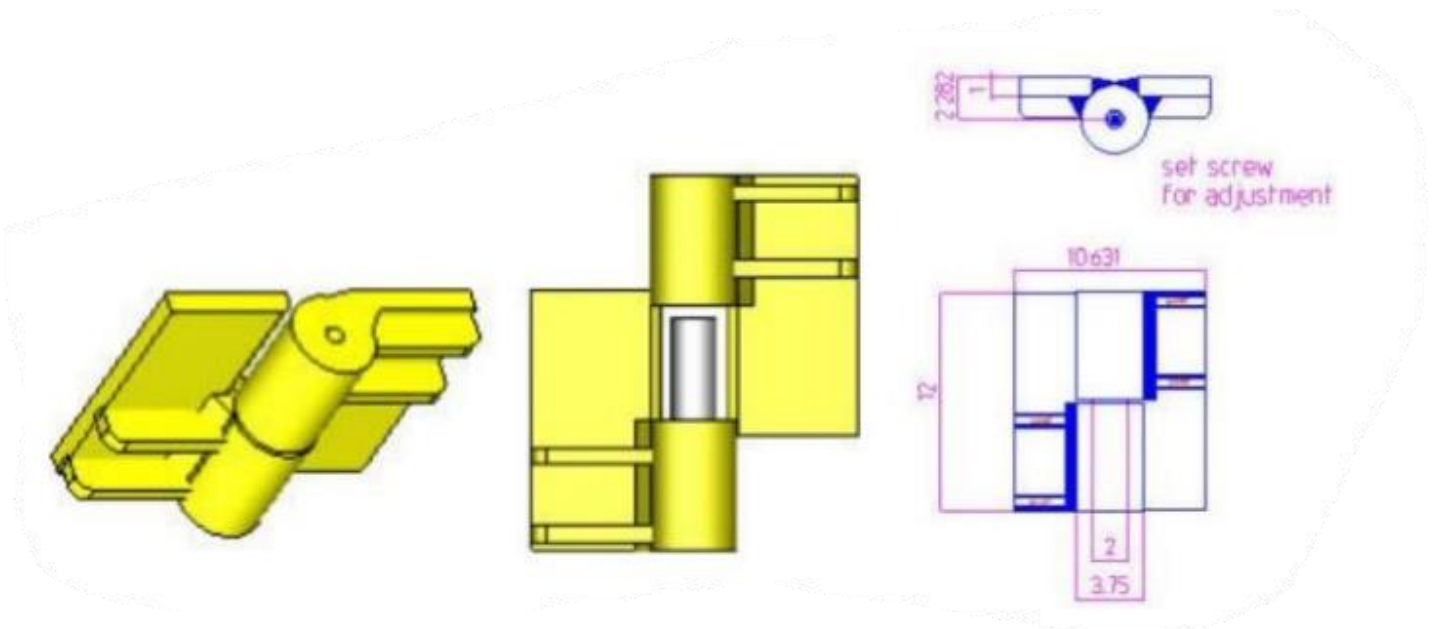
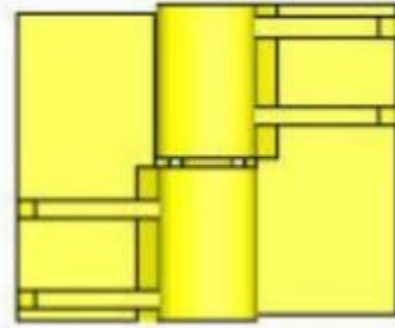


12" x 10 5/8" Carbon Steel Heavy Duty Hinges

Model Number: 2200 RH

Price: £ 1984.5

- Material Type: Carbon Steel
- Mount: Weld On
- Maximum Door Weight: 20,000 LBS
- Maximum Radial Load: 8,800 LBS
- Approx Width: 10 5/8"
- Height: 12"
- Leaf Thickness: 1"
- Weight: 66 LBS
- Finish: Primer



Kiesler Machine Inc



Contact Info :
info@kieslermachine.uk

Smoother Than The Rest
Guaranteed!

Data Provided For Reference Only.

Disclaimer: This drawing is property of Kiesler Machine Inc, Kieslermachine.com. It is owned with the understanding that it will in no way be used in a manner which is harmful to Kiesler Machine Inc.