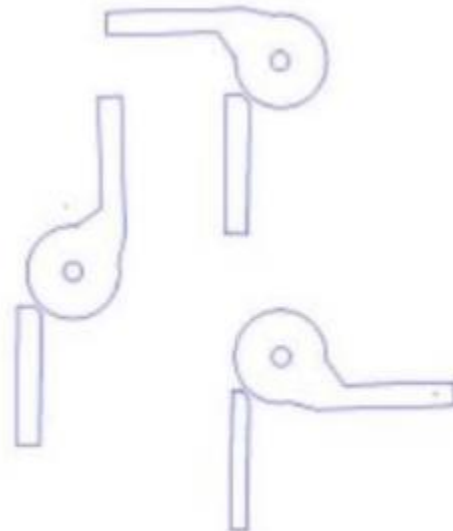
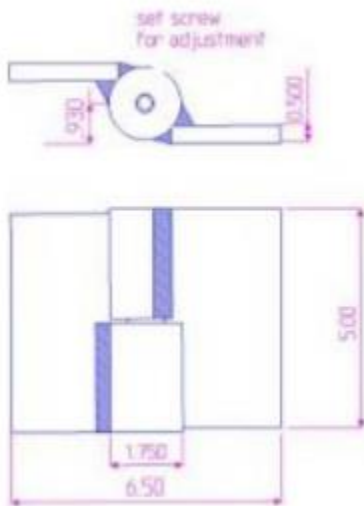
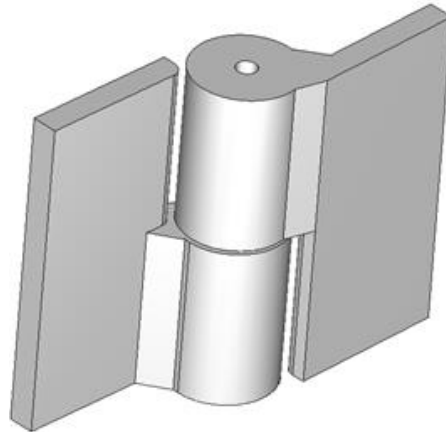


5" x 6 1/2" Stainless Steel Half Mortise Hinges

Model Number: 2875RH-316 Half Mortise

Price: £ 645

- Application: Half Mortise
- Type: Right Hand
- Material Type: 316L Stainless Steel
- Maximum Door Weight: 3,000 lbs.
- Maximum Radial Load: 1,220 lbs.
- Mount: Weld-On or Bolt-On
- Approximate Width: 6 1/2"
- Height: 5"
- Weight: 7 lbs.
- Bearing Type: Thrust and Needle Bearings
- Finish: Plain
- Service: Heavy Duty



Kiesler Machine Inc

Contact Info :
info@kieslermachine.uk

Smoother Than The Rest
Guaranteed!

Data Provided For Reference Only.

Disclaimer: This drawing is property of Kiesler Machine Inc, Kieslermachine.com. It is owned with the understanding that it will in no way be used in a manner which is harmful to Kiesler Machine Inc.