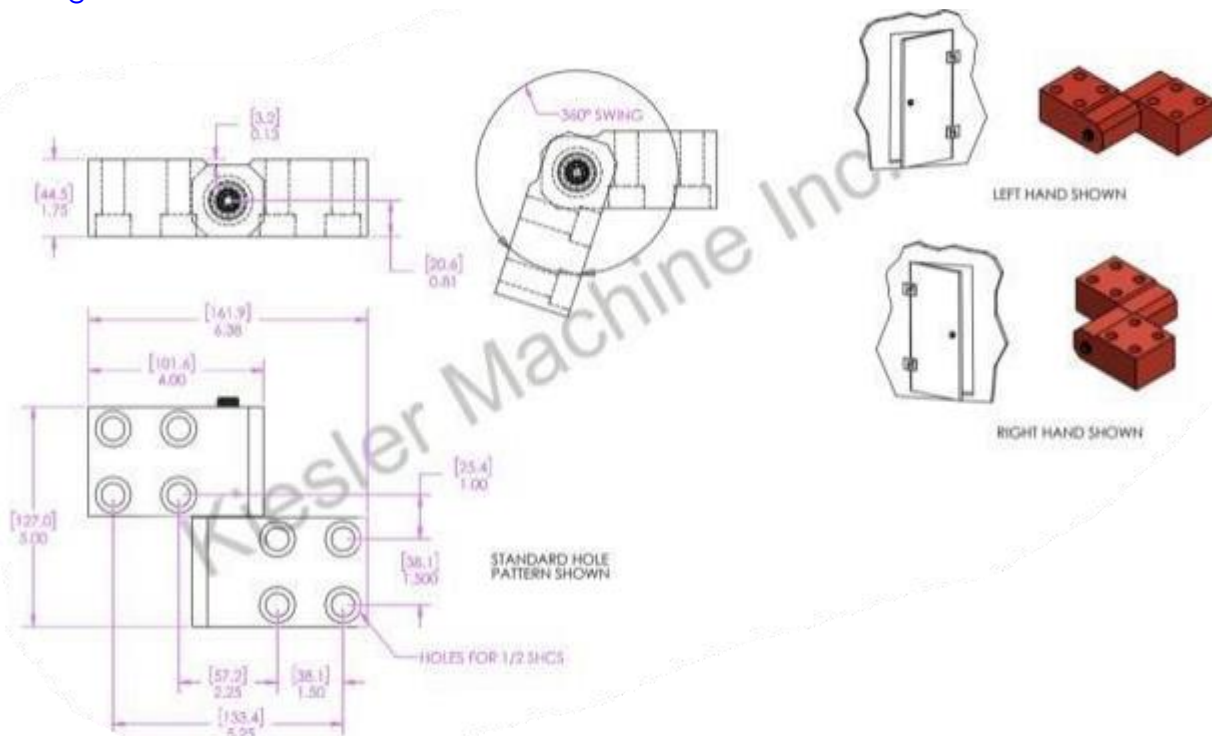


5"x 4.5" Model K Hinges

Model Number: 2875-K-LH-GALV

Price: £ 525

- Material Type: Carbon steel
- Finish: Hot Dipped Galvanized
- Maximum Vertical Load: 3,000 LBS
- Maximum Radial Load: 1220 LBS
- Approx. Width: 4.5"
- Height: 5"
- Leaf Thickness: 1/2"
- Weight: 9 LBS



Kiesler Machine Inc

Contact Info :
info@kieslermachine.uk

Smoother Than The Rest
Guaranteed!

Data Provided For Reference Only.

Disclaimer: This drawing is property of Kiesler Machine Inc, Kieslermachine.com. It is owned with the understanding that it will in no way be used in a manner which is harmful to Kiesler Machine Inc.